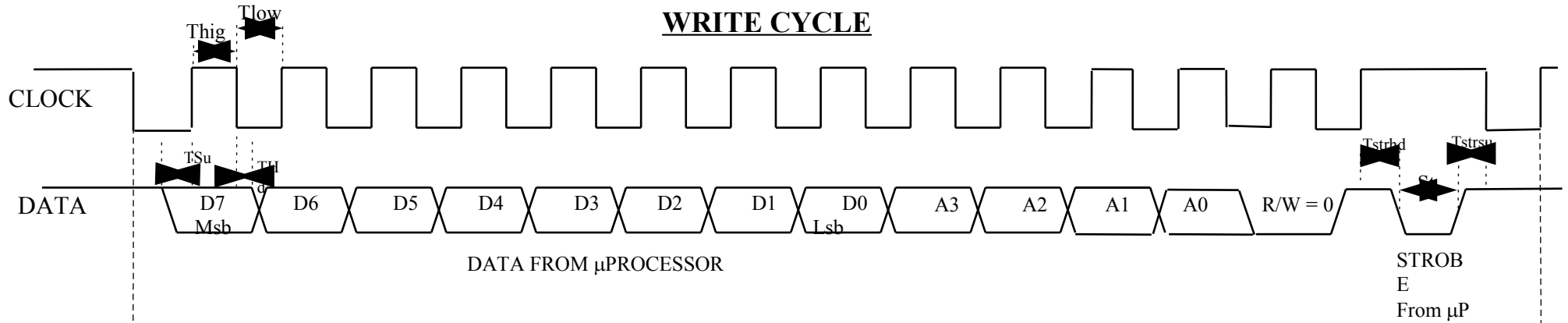
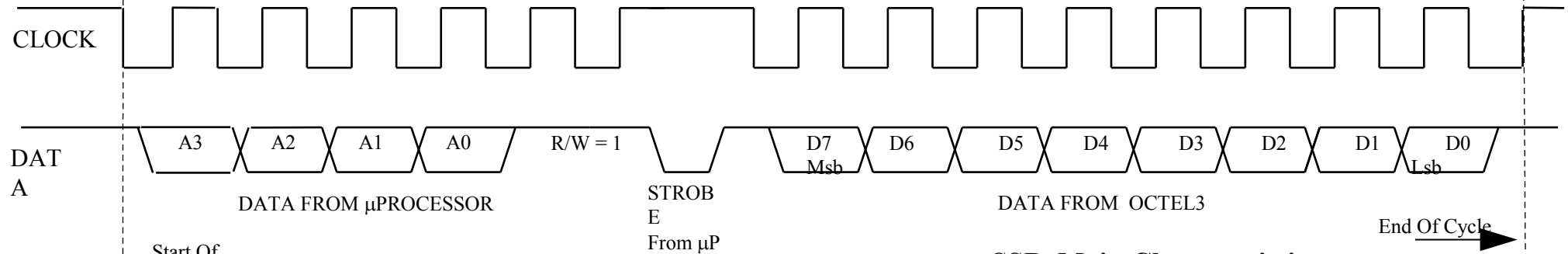


SSB ACCESS BUS

WRITE CYCLE

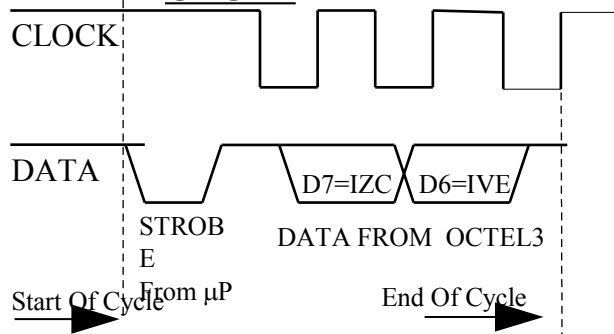


NORMAL READ CYCLE

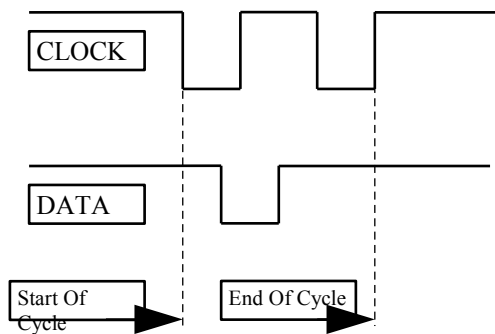


SSB Main Characteristics

FAST READ CYCLE



REFRESH CYCLE



Characteristics	Sym	Min	Max	Units	Note
CLOCK Frequency	Fclk	0.5	2	kHz	1
CLOCK LOW period	Tlow	1	3	μs	2
CLOCK HIGH period	Thig	1	4	μs	3
DATA Set-Up Time	TSu	0.5	5	μs	4
DATA Hold Time	TH	0.5	5	μs	5
STROBE Hold Time	Tstrhd	0.5	5	μs	6
STROBE Set-Up Time	Tstrsu	0.5	5	μs	7
STROBE Time	St	1	9	μs	8
INT Reset Delay Time (L to H)	Irdt	0.2		μs	9